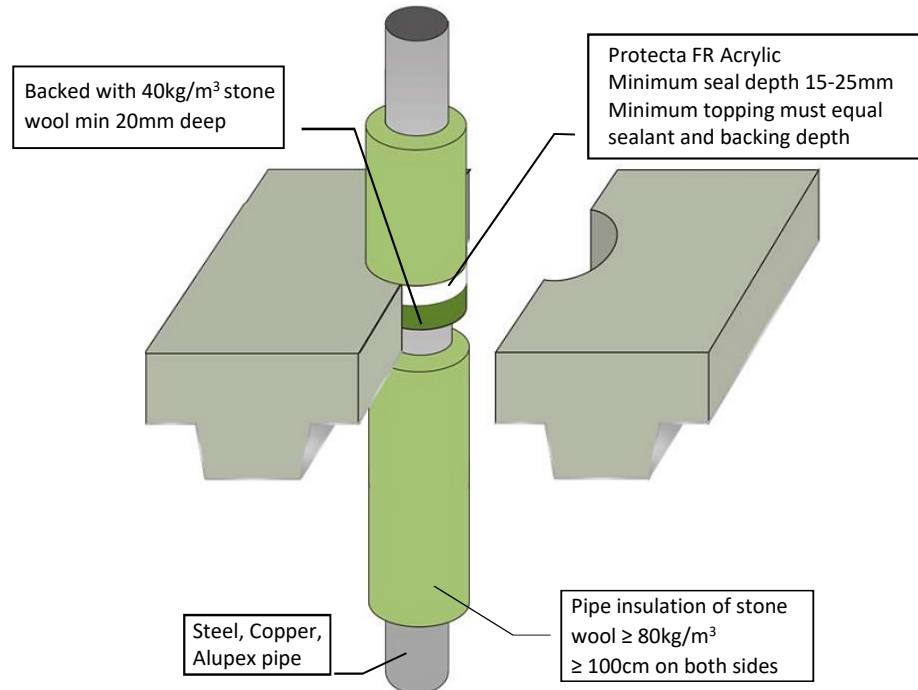


Installation Instructions

1. Before installing Protecta® FR Acrylic ensure that the surface of all service penetrations and surrounding construction is free from all loose contaminants, dust and grease.
2. Where Protecta® FR Acrylic is to be installed against surfaces that cannot tolerate direct contact; appropriate surface preparation should be made (contact Polyseam for guidance in these cases). For paints sensitive to sealing compounds, priming with a PVA primer is recommended.
3. As Protecta® FR Acrylic is water based, in cases where corrosion protection is a problem; some metals may require a barrier between the sealant and the metal surface prior to this installation.
4. When installing any backing material, cut this slightly oversize and insert into the gap ensuring a tight friction fit. Ensure correct depth is achieved.
5. Fill the gap or joint with Protecta® FR Acrylic to the required depth.
6. Apply the sealant generously to prevent air bubbles. Finish the bead with a moist spatula, pallet knife or brush.
7. Protecta® FR Acrylic can be over-painted with most emulsion or alkyd (gloss) paints.

Protecta FR Acrylic Steel, Copper or Alupex Pipes with Interrupted Insulation in Composite Floor Aperture 300x300mm or 100mm Linear Gap



Services	Aperture	Sealant Depth	Classification
≤ Ø219mm Steel	300x300mm	15mm	FRR -/90/60
≤ Ø219mm Steel	300x300mm	25mm	FRR -/120/90
≤ Ø219mm Steel	10mm annular	15mm	FRR -/240/90
≤ Ø80mm Steel	100mm linear gap	25mm	FRR -/120/90
≤ Ø54mm Copper or Steel	300x300mm	15mm	FRR -/90/60
≤ Ø54mm Copper or Steel	300x300mm	25mm	FRR -/120/120
≤ Ø54mm Copper or Steel	10mm annular	15mm	FRR -/240/180
≤ Ø12mm Copper or Steel	10mm annular	15mm	FRR -/240/240
≤ Ø54mm Copper or Steel	100mm linear gap	25mm	FRR -/120/120
≤ Ø75mm Alupex	300x300mm	25mm with 48mm stone wool	FRR -/240/240

System/FPA Register ID# FC637

Products	Protecta FR Acrylic Stone wool
Application	Fire stopping of metal pipes in composite floors
Construction	Minimum topping of 35mm and comprise aerated concrete or concrete

Fire & Sound classification

See table for FRR ratings and aperture sizes

Minimum topping from 35mm up to 73mm depending on depth required for sealant and backing combined.

Where FRR of the floor is less than FRRs shown in the table, the lower FRR must be used to match the floor.

ZERO smoke leakage up to 200Pa.

Sound reduction (seal only) STC 62



Protecta®

Sheet size: Drawn date & no:

A4

24/5/21

Scale:

NTS

Drawn by:

K.B